

THIS DRAWING IS UNPUBLISHED. RELEASED FOR PUBLICATION

© COPYRIGHT BY TYCO ELECTRONICS CORPORATION. ALL RIGHTS RESERVED.

LOC	DIST	REVISIONS			DATE	DWN	APVD
J	-	P	LTR	変更 DESCRIPTION			
		F		REVISED FJDO-0350-04	29SEP'04	Y.Y	N.Y

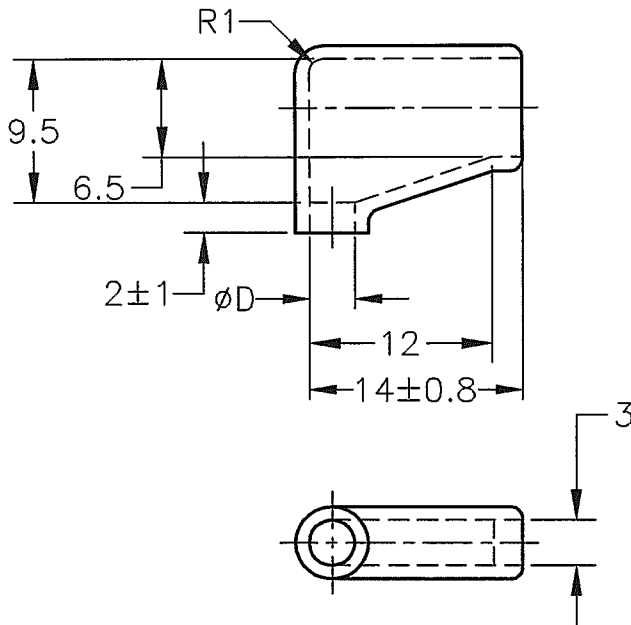
	215032-1	2-170823-9	SEE 7 OF 13
	246225	2-170823-8	SEE 2 OF 13
	238035-3	2-170823-7	SEE 10 OF 13
OBSOLETE	235818	2-170823-5	SEE 12 OF 13
	234018-4	2-170823-4	SEE 13 OF 13
OBSOLETE	234025-1	2-170823-3	
	234030-1	2-170823-2	SEE 10 OF 13
	230032-1	2-170823-1	
	238035-2	2-170823-0	
	238035-1	1-170823-9	
	238032-1	1-170823-8	SEE 12 OF 13
	238020-1	1-170823-7	
	238038	1-170823-6	
	238035	1-170823-5	SEE 13 OF 13
	235825-1	1-170823-4	
	235822	1-170823-3	SEE 10 OF 13
	234018-2	1-170823-2	
	234018-1	1-170823-1	
	234030	1-170823-0	
	234018	170823-9	SEE 10 OF 13
	234016	170823-8	
	238060	170823-7	SEE 13 OF 13
	238048	170823-6	
	238032	170823-4	
	238020	170823-3	SEE 10 OF 13
	238025	170823-2	
	234025	170823-1	SEE 13 OF 13
	SHINAGAWA SHOKO PN	AMP PN	REMARK

	24623204	5-170823-8	SEE 2 OF 13
	248550	5-170823-7	SEE 3 OF 13
	246230	5-170823-6	SEE 2 OF 13
	234025-4	5-170823-4	SEE 13 OF 13
OBSOLETE	234028	5-170823-3	
OBSOLETE	224222	5-170823-1	SEE 8 OF 13
	246232-1	5-170823-0	SEE 2 OF 13
OBSOLETE	238040	4-170823-9	SEE 10 OF 13
OBSOLETE	238025-2	4-170823-8	
OBSOLETE	238025-1	4-170823-7	
	234025-3	4-170823-6	SEE 13 OF 13
OBSOLETE	234025-2	4-170823-5	
OBSOLETE	248525	4-170823-4	SEE 3 OF 13
	215025W	4-170823-3	SEE 6 OF 13
OBSOLETE	236525W	4-170823-2	SEE 5 OF 13
	236525	4-170823-1	SEE 11 OF 13
OBSOLETE	234025W	4-170823-0	SEE 5 OF 13
	246232	3-170823-8	SEE 2 OF 13
OBSOLETE	230025W	3-170823-7	SEE 4 OF 13
OBSOLETE	238025W	3-170823-6	SEE 5 OF 13
	215028	3-170823-5	SEE 7 OF 13
	224228	3-170823-4	SEE 8 OF 13
	215032W	3-170823-3	SEE 6 OF 13
OBSOLETE	238032-3	3-170823-2	SEE 10 OF 13
OBSOLETE	238032-2	3-170823-1	
	SHINAGAWA SHOKO PN	AMP PN	REMARK

X-170892-X	SEE 170892
X-170893-X	SEE 170893
X-170887-X	SEE 170887
X-170889-X	SEE 170889
X-170888-X	SEE 170888
X-170890-X	SEE 170890
X-170891-X	SEE 170891
AMP PN	REMARK

THIS DRAWING IS A CONTROLLED DOCUMENT.		DWN A. YAMAGUCHI 31AUG00	Tyco Electronics AMP K.K. Kawasaki, Japan	
DIMENSIONS: 単位: 耗 MM		CHK D. MATSUURA 31AUG00	INSULATION SLEEVE	
TOLERANCES UNLESS OTHERWISE SPECIFIED: 一般公差		APVD K. BETSUI 31AUG00	NAME 名称	
0 PLC ± - 1 PLC ± - 2 PLC ± - 3 PLC ± - 4 PLC ± - ANGLES ± -		PRODUCT SPEC 製品規格	SIZE A3	
MATERIAL 材料		APPLICATION SPEC 取付適用規格	CAGE CODE 00779	DRAWING NO 番号 C-170823
FINISH 仕上		WEIGHT	RESTRICTED TO -	
CUSTOMER DRAWING			SCALE 尺度 1:1	SHEET 1 OF 13
			REV F	

LOC J	DIST —	REVISEMENTS 変更				DATE —	DWN —	APVD —
		P	LTR	DESCRIPTION				
		F		SEE 1 OF 13				



1. 材質：SS-108（一般）
2. 一般公差：±0.5
3. 適用製品規格は無し
- ⚠ 品川商工発行のカタログと本図で寸法が異なる場合は本図を優先する。
5. この製品の名称は旗型コネクタスリーブ187シリーズ

1. MATERIAL:SS-108(GENERAL)
2. GENERAL TOLERANCE: ±0.5
3. APPLICABLE PRODUCT SPEC NOT AVAILABLE
- ⚠ IN THE EVENT OF CONFLICT BETWEEN THE REQUIREMENTS OF THIS CUSTOMER DRAWING AND THE SHINAGAWA SHOKO CO LTD CATALOG THIS CUSTOMER DRAWING SHALL TAKE PRECEDENCE
5. THIS PRODUCT NAME FLAG TYPE CONNECT SLEEVE FOR 187 SERIES

BLACK	0.9±0.3	3.2	24623204	5-170823-8
CLEAR	0.9±0.3	3	246230	5-170823-6
		3.2	246232-1	5-170823-0
		3.2	246232	3-170823-8
		2.5	246225	2-170823-8
COLOR	THICKNESS	φD	△ SHINAGAWA SHOKO PN	AMP PN

THIS DRAWING IS UNPUBLISHED.

ALL RIGHTS RESERVED.

COPYRIGHT © BY TYCO ELECTRONICS CORPORATION.

THIS DRAWING IS UNPUBLISHED.

DIMENSIONS:
単位：特
MM

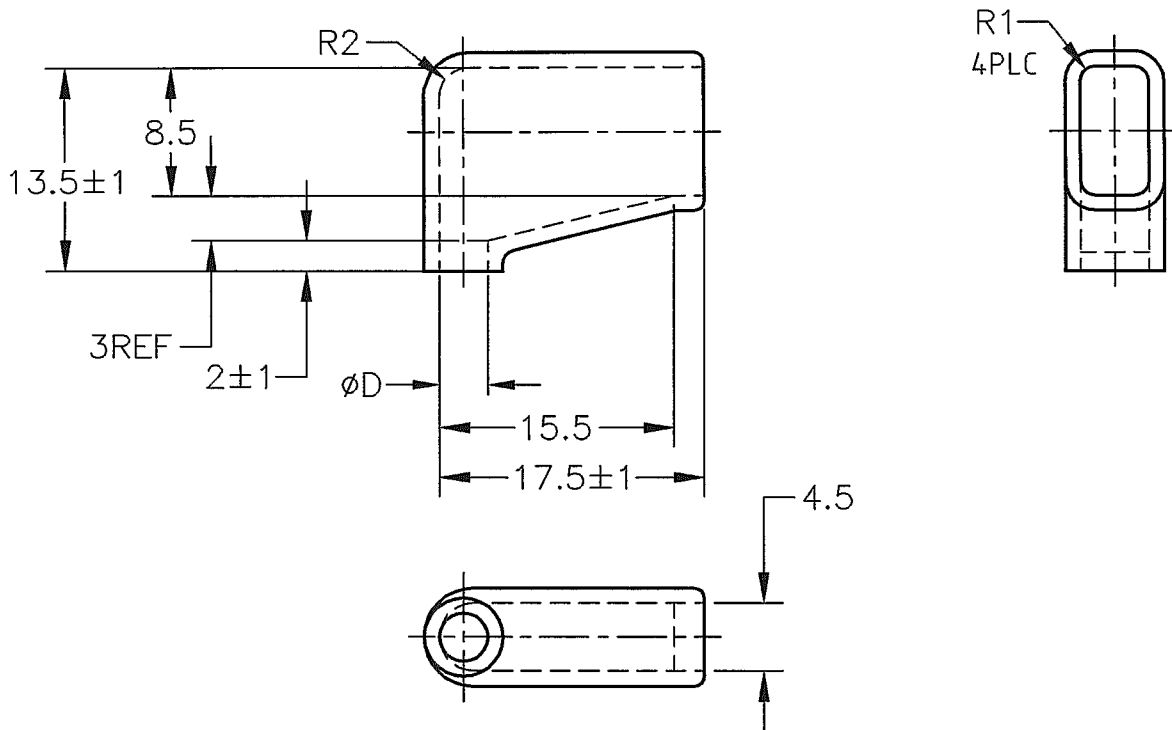
TOLERANCES UNLESS OTHERWISE SPECIFIED:
一般公差

0 PLC	± -
1 PLC	± -
2 PLC	± -
3 PLC	± -
4 PLC	± -
ANGLES	± -

DWN	A. YAMAGUCHI	31AUG00
CHK	D. MATSUURA	31AUG00
APVD	K. BETSUI	31AUG00
PRODUCT SPEC	製品規格	
APPLICATION SPEC	取付適用規格	
WEIGHT		

MATERIAL	材料	—	FINISH	仕上	—
		Tyco Electronics AMP K.K. Kawasaki, Japan			
NAME		INSULATION SLEEVE			
SIZE	CAGE CODE	DRAWING NO	RESTRICTED TO		
A4	00779	170823	—		
CUSTOMER DRAWING		SCALE	SHEET	OF	REV
		尺度 2:1	2	13	F

LOC	DIST	REVISIONS 変更					
J	—	P	LTR	DESCRIPTION	DATE	DWN	APVD
		F		SEE 1 OF 13	—	—	—



1. 材質：SS-108（一般）
2. 一般公差：±0.5
3. 適用製品規格は無し
- ⚠ 品川商工発行のカタログと本図で寸法が異なる場合は本図を優先する。
5. この製品の名称は旗型コネクタスリーブ250シリーズ

1. MATERIAL:SS-108(GENERAL)
2. GENERAL TOLERANCE: ±0.5
3. APPLICABLE PRODUCT SPEC NOT AVAILABLE
- ⚠ IN THE EVENT OF CONFLICT BETWEEN THE REQUIREMENTS OF THIS CUSTOMER DRAWING AND THE SHINAGAWA SHOKO CO LTD CATALOG THIS CUSTOMER DRAWING SHALL TAKE PRECEDENCE
5. THIS PRODUCT NAME FLAG TYPE CONNECT SLEEVE FOR 250 SERIES

OBSOLETE	CLEAR	1±0.3	5	248550	5-170823-7
			2.5	248525	4-170823-4
	COLOR	THICKNESS	φD	SHINAGAWA SHOKO PN	AMP PN

DIMENSIONS: 単位：特 MM TOLERANCES UNLESS OTHERWISE SPECIFIED: 一般公差 0 PLC ± - 1 PLC ± - 2 PLC ± - 3 PLC ± - 4 PLC ± - ANGLES ± -	DWN A. YAMAGUCHI 31AUG00	MATERIAL 材料	FINISH 仕上		
	CHK D. MATSUURA 31AUG00	Tyco Electronics AMP K.K. Kawasaki, Japan			
	APVD K. BETSUI 31AUG00				
	PRODUCT SPEC 製品規格	NAME 名称	INSULATION SLEEVE		
APPLICATION SPEC 取付適用規格	SIZE	CAGE CODE	DRAWING NO 番号	RESTRICTED TO	
WEIGHT	A4	00779	C-170823	—	
CUSTOMER DRAWING	SCALE 尺度	2:1	SHEET 3	OF 13	REV F

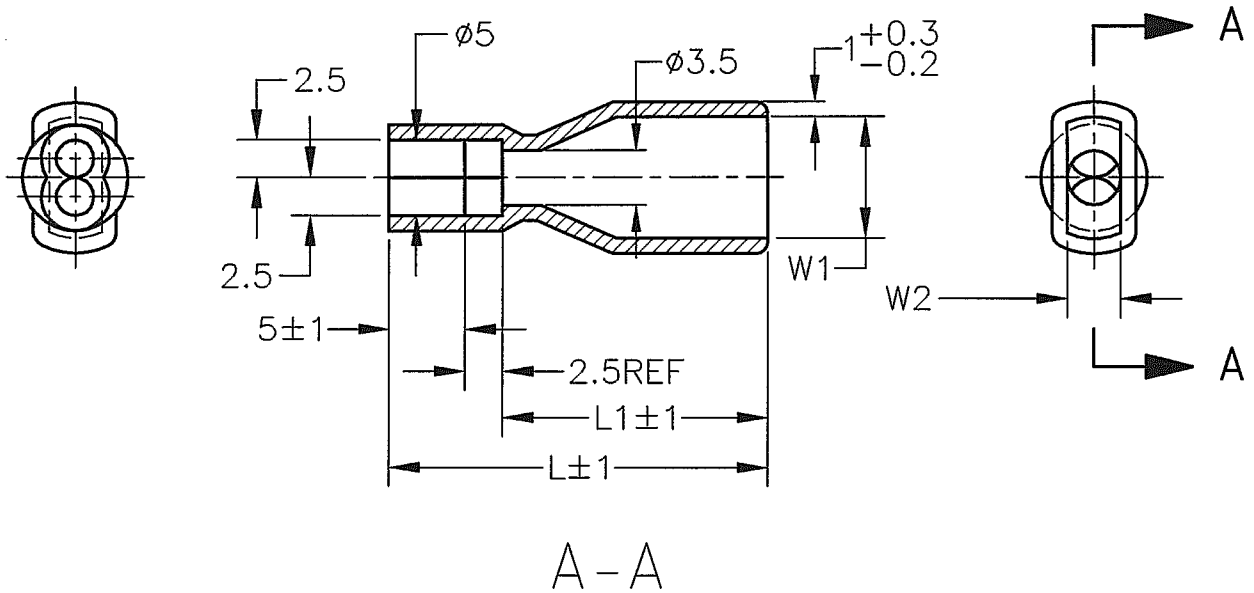
THIS DRAWING IS UNPUBLISHED.

ALL RIGHTS RESERVED.

BY TYCO ELECTRONICS CORPORATION.

© COPYRIGHT

LOC J	DIST —	REVISIONS 変更			DATE	DWN	APVD
		P	LTR	DESCRIPTION			
		F	SEE 1 OF 13	—	—	—	



- 1. 材質：SS-108（一般）
- 2. 一般公差：±0.5
- 3. 適用製品規格は無し
- △ 品川商工発行のカタログと本図で寸法が異なる場合は本図を優先する。
- 5. この製品の名称はコネクタスリーブAMP00シリーズ

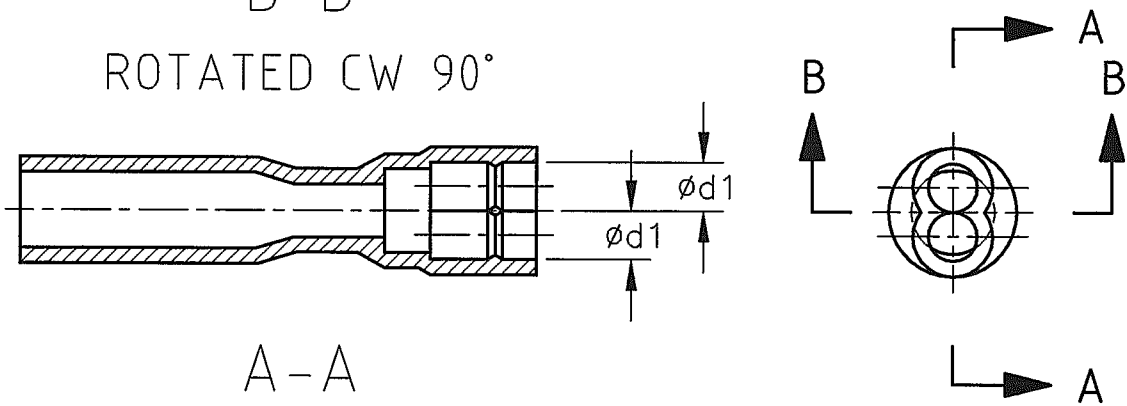
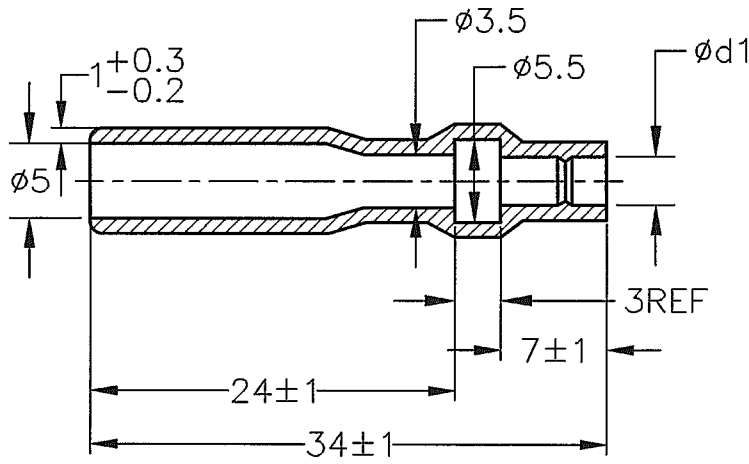
- 1. MATERIAL:SS-108(GENERAL)
- 2. GENERAL TOLERANCE: ±0.5
- 3. APPLICABLE PRODUCT SPEC NOT AVAILABLE
- △ IN THE EVENT OF CONFLICT BETWEEN THE REQUIREMENTS OF THIS CUSTOMER DRAWING AND THE SHINAGAWA SHOKO CO LTD CATALOG THIS CUSTOMER DRAWING SHALL TAKE PRECEDENCE
- 5. THIS PRODUCT NAME FLAG TYPE CONNECT SLEEVE AMP00 SERIES

OBSOLETE	CLEAR	23	15.5	3	6.5	236525W	4-170823-2
OBSOLETE		21	13.5		4	234025W	4-170823-0
OBSOLETE		25	17.5	3.5	8	238025W	3-170823-6
	COLOR	L	L1	W2	W1	△ SHINAGAWA SHOKO PN	AMP PN

THIS DRAWING IS UNPUBLISHED. ALL RIGHTS RESERVED. BY TYCO ELECTRONICS CORPORATION.

DIMENSIONS: 単位： 耗 MM	DWN	31AUG00	MATERIAL	FINISH		
	A. YAMAGUCHI		材料	仕上		
TOLERANCES UNLESS OTHERWISE SPECIFIED: 一般公差	CHK	31AUG00	Tyco Electronics AMP K.K. Kawasaki, Japan			
	D. MATSUURA					
0 PLC ± - 1 PLC ± - 2 PLC ± - 3 PLC ± - 4 PLC ± - ANGLES ± -	APVD	31AUG00	NAME 名称 INSULATION SLEEVE			
	K. BETSUI					
PRODUCT SPEC 製品規格	APPLICATION SPEC		SIZE	CAGE CODE	DRAWING NO	RESTRICTED TO
	取付適用規格		A4	00779	番号 170823	—
WEIGHT	CUSTOMER DRAWING		SCALE	SHEET	REV	
			尺度	2:1	5 OF 13	F

LOC	DIST	REVISIONS			DATE	DWN	APVD
J	-	P	LTR	DESCRIPTION			
		F		SEE 1 OF 13	-	-	-



1. 材質：SS-108（一般）
 2. 一般公差：±0.5
 3. 適用製品規格は無し
 - △ 品川商工発行のカタログと本図で寸法が異なる場合は本図を優先する。
 5. この製品の名称はコネクタスリーブ 5DIAシリーズシュフープラグ リセプタクル
1. MATERIAL:SS-108(GENERAL)
 2. GENERAL TOLERANCE: ±0.5
 3. APPLICABLE PRODUCT SPEC NOT AVAILABLE
 - △ IN THE EVENT OF CONFLICT BETWEEN THE REQUIREMENTS OF THIS CUSTOMER DRAWING AND THE SHINAGAWA SHOKO CO LTD CATALOG THIS CUSTOMER DRAWING SHALL TAKE PRECEDENCE
 5. THIS PRODUCT NAME : CONNECT SLEEVE 5DIA SERIES SHUR PLUG RECEPTACLE

CLEAR	2.5	215025W	4-170823-3
	3.2	215032W	3-170823-3
COLOR	$\phi d1$	△ SHINAGAWA SHOKO PN	AMP PN

THIS DRAWING IS UNPUBLISHED.

ALL RIGHTS RESERVED.

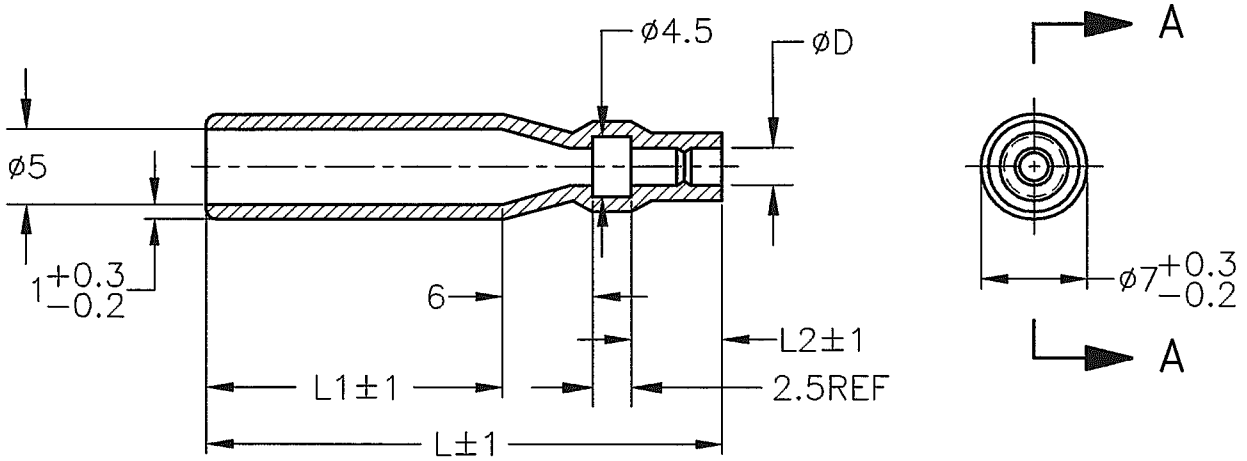
BY TYCO ELECTRONICS CORPORATION.

DIMENSIONS: 単位：mm	
TOLERANCES UNLESS OTHERWISE SPECIFIED: 一般公差	
0 PLC	± -
1 PLC	± -
2 PLC	± -
3 PLC	± -
4 PLC	± -
ANGLES	± -

DWN	31AUG00	A. YAMAGUCHI
CHK	31AUG00	D. MATSUURA
APVD	31AUG00	K. BETSUI
PRODUCT SPEC	製品規格	
APPLICATION SPEC	取付適用規格	
WEIGHT		

MATERIAL	材料	-	FINISH	仕上	-
		Tyco Electronics AMP K.K. Kawasaki, Japan			
NAME 名称 INSULATION SLEEVE					
SIZE	CAGE CODE	DRAWING NO 番号	RESTRICTED TO		
A4	00779	C-170823	-		
CUSTOMER DRAWING		SCALE 尺度	2:1	SHEET 6	OF 13
		REV	F		

LOC	DIST	REVISIONS 変更			DATE	DWN	APVD
J	—	P	LTR	DESCRIPTION			
		F		SEE 1 OF 13	—	—	—



A-A

- 1. 材質：SS-108（一般）
- 2. 一般公差：±0.5
- 3. 適用製品規格は無し

⚠ 品川商工発行のカタログと本図で寸法が異なる場合は本図を優先する。
5. この製品の名称はコネクタスリーブ 5DIA シリーズ シュワープラグリセプタクル

- 1. MATERIAL:SS-108(GENERAL)
- 2. GENERAL TOLERANCE: ±0.5
- 3. APPLICABLE PRODUCT SPEC NOT AVAILABLE
- ⚠ IN THE EVENT OF CONFLICT BETWEEN THE REQUIREMENTS OF THIS CUSTOMER DRAWING AND THE SHINAGAWA SHOKO CO LTD CATALOG THIS CUSTOMER DRAWING SHALL TAKE PRECEDENCE
- 5. THIS PRODUCT NAME FLAG TYPE CONNECT SLEEVE 5DIA SERIES SHUR PLUG RECEPTACLE

CLEAR	33	6	18.5	2.8	215028	3-170823-5
	47	7	31.5	3.2	215032-1	2-170823-9
COLOR	L	L2	L1	ø D	SHINAGAWA SHOKO PN	AMP PN

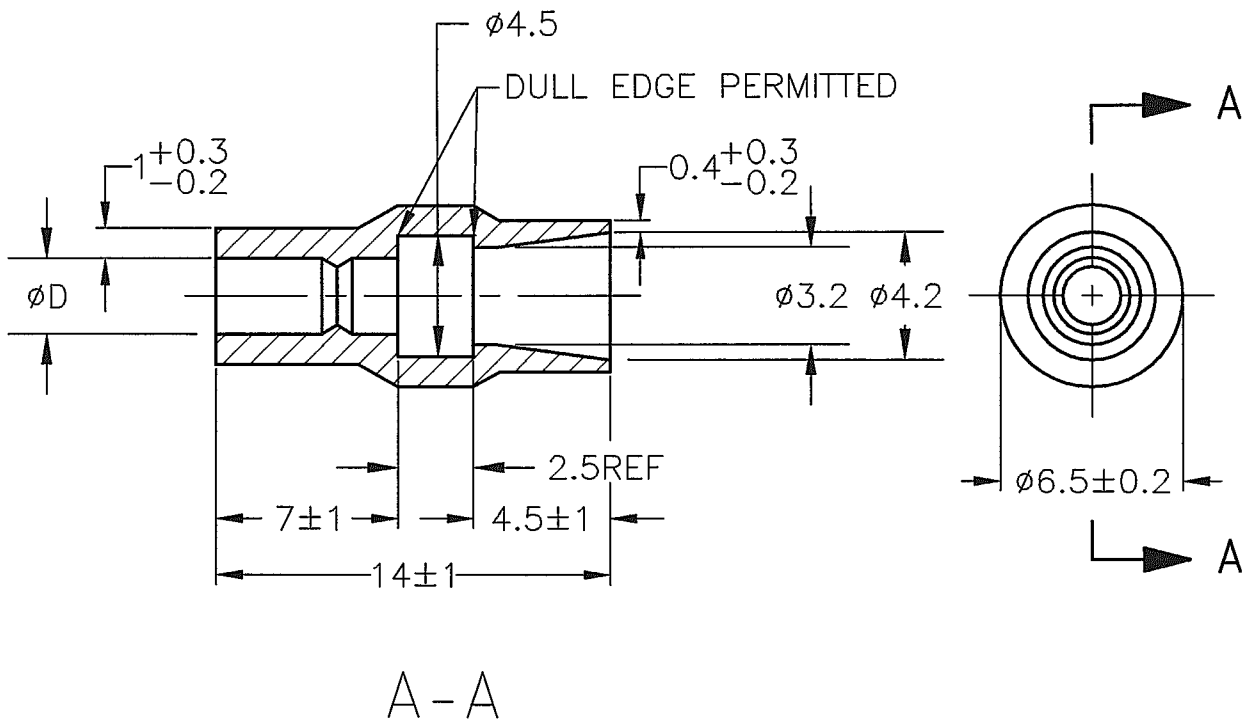
THIS DRAWING IS UNPUBLISHED. ALL RIGHTS RESERVED. BY TYCO ELECTRONICS CORPORATION. COPYRIGHT

DIMENSIONS: 単位： 精 MM	
TOLERANCES UNLESS OTHERWISE SPECIFIED: 一般公差	
0 PLC	± -
1 PLC	± -
2 PLC	± -
3 PLC	± -
4 PLC	± -
ANGLES	± -

DWN	A. YAMAGUCHI	31AUG00
CHK	D. MATSUURA	31AUG00
APVD	K. BETSUI	31AUG00
PRODUCT SPEC	製品規格	
APPLICATION SPEC	取付適用規格	
WEIGHT		

MATERIAL	材料		FINISH	仕上	
		Tyco Electronics AMP K.K. Kawasaki, Japan			
NAME 名称 INSULATION SLEEVE					
SIZE	A4	CAGE CODE	00779	DRAWING NO 番号	170823
CUSTOMER DRAWING				RESTRICTED TO	—
SCALE	尺度	2:1	SHEET	7 OF 13	REV F

LOC J	DIST —	P	LTR	REVISIONS 変更 DESCRIPTION	DATE	DWN	APVD
			F	SEE 1 OF 13	—	—	—



1. 材質：SS-108（一般）
2. 一般公差：±0.5
3. 適用製品規格は無し
- △ 品川商工発行のカタログと本図で寸法が異なる場合は本図を優先する。
5. この製品の名称はコネクタスリーブ 5DIAシリーズシュワープラグ

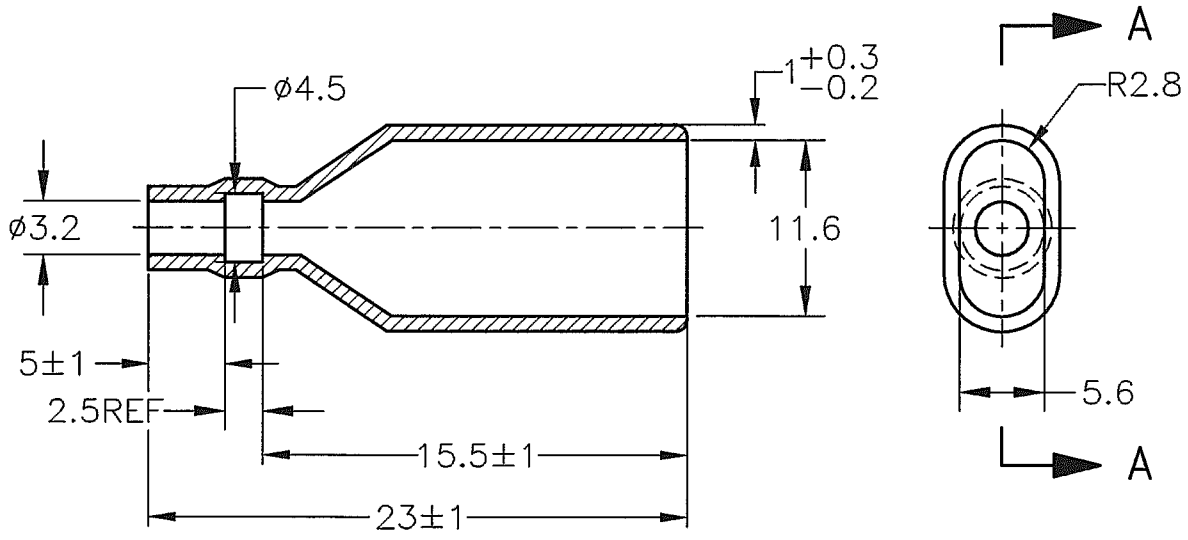
1. MATERIAL:SS-108(GENERAL)
2. GENERAL TOLERANCE: ±0.5
3. APPLICABLE PRODUCT SPEC NOT AVAILABLE
- △ IN THE EVENT OF CONFLICT BETWEEN THE REQUIREMENTS OF THIS CUSTOMER DRAWING AND THE SHINAGAWA SHOKO CO LTD CATALOG THIS CUSTOMER DRAWING SHALL TAKE PRECEDENCE
5. THIS PRODUCT NAME CONNECT SLEEVE 5DIA SERIES SHUR PLUG

OBSOLETE	CLEAR	2.2	224222	5-170823-1
		2.8	224228	3-170823-4
	COLOR	φ D	△ SHINAGAWA SHOKO PN	AMP PN

DIMENSIONS: 単位： 毫 MM TOLERANCES UNLESS OTHERWISE SPECIFIED: 一般公差 0 PLC ± - 1 PLC ± - 2 PLC ± - 3 PLC ± - 4 PLC ± - ANGLES ± - 	DWN A. YAMAGUCHI 31AUG00	MATERIAL 材料	FINISH 仕上
	CHK D. MATSUURA 31AUG00	tyco Tyco Electronics AMP K.K. Kawasaki, Japan	
	APVD K. BETSUI 31AUG00	NAME 名称 INSULATION SLEEVE	
	PRODUCT SPEC 製品規格	SIZE A4	CAGE CODE 00779
APPLICATION SPEC 取付適用規格	RESTRICTED TO		—
WEIGHT	CUSTOMER DRAWING		SCALE 尺度 4:1
			SHEET 8 OF 13
			REV F

THIS DRAWING IS UNPUBLISHED. ALL RIGHTS RESERVED. BY TYCO ELECTRONICS CORPORATION.

LOC	DIST	REVISIONS 変更			DATE	DWN	APVD
J	—	P	LTR	DESCRIPTION			
		F		SEE 1 OF 13	—	—	—



A - A

1. 材質：SS-108（一般）
2. 一般公差：±0.5
3. 適用製品規格は無し
- △ 品川商工発行のカタログと本図で寸法が異なる場合は本図を優先する。
5. この製品の名称はコネクタスリーブAMP00シリーズ

1. MATERIAL:SS-108(GENERAL)
2. GENERAL TOLERANCE: ±0.5
3. APPLICABLE PRODUCT SPEC NOT AVAILABLE
- △ IN THE EVENT OF CONFLICT BETWEEN THE REQUIREMENTS OF THIS CUSTOMER DRAWING AND THE SHINAGAWA SHOKO CO LTD CATALOG THIS CUSTOMER DRAWING SHALL TAKE PRECEDENCE
5. THIS PRODUCT NAME FLAG TYPE CONNECT SLEEVE AMP00 SERIES

CLEAR	230032-1	2-170823-1
COLOR	△ SHINAGAWA SHOKO PN	AMP PN

THIS DRAWING IS UNPUBLISHED. BY TYCO ELECTRONICS CORPORATION. ALL RIGHTS RESERVED. © COPYRIGHT

DIMENSIONS: 単位：特 MM	
TOLERANCES UNLESS OTHERWISE SPECIFIED: 一般公差	
0 PLC	± -
1 PLC	± -
2 PLC	± -
3 PLC	± -
4 PLC	± -
ANGLES	± -

DWN	A. YAMAGUCHI	31AUG00
CHK	D. MATSUURA	31AUG00
APVD	K. BETSUI	31AUG00
PRODUCT SPEC	製品規格	
APPLICATION SPEC	取付適用規格	
WEIGHT		

MATERIAL	材料	—	FINISH	仕上	—
		Tyco Electronics AMP K.K. Kawasaki, Japan			
NAME 名称 INSULATION SLEEVE					
SIZE	CAGE CODE	DRAWING NO 番号	RESTRICTED TO		
A4	00779	①-170823	—		
CUSTOMER DRAWING		SCALE 尺度	2:1	SHEET	9 OF 13
				REV	F

4

3

2

1

THIS DRAWING IS UNPUBLISHED.

RELEASED FOR PUBLICATION

© COPYRIGHT

BY TYCO ELECTRONICS CORPORATION.

ALL RIGHTS RESERVED.

LOC

DIST

REVISIONS

変更

P

LTR

DESCRIPTION

DATE

DWN

APVD

J

-

F

SEE 1 OF 13

-

-

-

1. 材質：SS-108（一般）

2. 一般公差：±0.5

3. 適用製品規格は無し

⚠ 品川商工発行のカタログと本図で寸法が異なる場合は本図を優先する。

1. MATERIAL:SS-108(GENERAL)

2. GENERAL TOLERANCE: ±0.5

3. APPLICABLE PRODUCT SPEC NOT AVAILABLE

⚠ IN THE EVENT OF CONFLICT BETWEEN THE REQUIREMENTS OF THIS CUSTOMER DRAWING AND THE SHINAGAWA SHOKO CO LTD CATALOG THIS CUSTOMER DRAWING SHALL TAKE PRECEDENCE

OBSOLETE	YELLOW	24	16.5	2.5	4.5	2.5	238025-2	4-170823-8
OBSOLETE	RED					2.5	238025-1	4-170823-7
OBSOLETE	CLEAR	25	17.5	3	5	4	238040	4-170823-9
OBSOLETE	BROWN			2.5	4.7	3.2	238032-3	3-170823-2
OBSOLETE	BLUE	24.5	16.5				238032-2	3-170823-1
	CLEAR					3.5	238035-3	2-170823-7
		40	32.5	3	4.5		238035-2	2-170823-0
		35	27.5			3.5	238035-1	1-170823-9
		27	19.5	2.5	4.7	3.2	238032-1	1-170823-8
		45	37.5	3	3.2	2	238020-1	1-170823-7
		25	17.5	2.5	5.3	3.8	238038	1-170823-6
				3	4.5	3.5	238035	1-170823-5
		27	19.5		7.5	6	238060	170823-7
		25	17.5	2.5	6.3	4.8	238048	170823-6
					4.7	3.2	238032	170823-4
	24	16.5	3	3.2	2	238020	170823-3	
			2.5	4.5	2.5	238025	170823-2	
	COLOR	L	L2	L1	φD1	φD	SHINAGAWA SHOKO PN	AMP PN

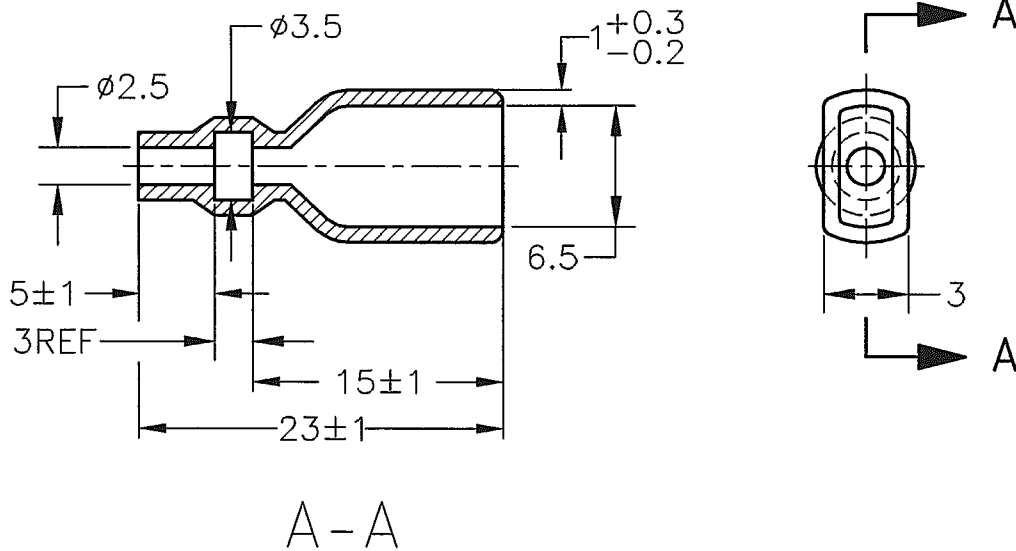
THIS DRAWING IS A CONTROLLED DOCUMENT.		DWN A. YAMAGUCHI 31AUG00	Tyco Electronics AMP K.K. Kawasaki, Japan	
DIMENSIONS: 単位：耗 MM		CHK D. MATSUURA 31AUG02	INSULATION SLEEVE	
TOLERANCES UNLESS OTHERWISE SPECIFIED: 一般公差		APVD K. BETSUI 31AUG02	NAME 名称	
0 PLC ± -		PRODUCT SPEC 製品規格	SIZE A3	
1 PLC ± -		APPLICATION SPEC 取付適用規格	CAGE CODE 00779	
2 PLC ± -		WEIGHT	DRAWING NO 番号 C-170823	
3 PLC ± -		CUSTOMER DRAWING	RESTRICTED TO -	
4 PLC ± -			SCALE 尺度 2:1	
ANGLES ± -			SHEET 10 OF 13	
FINISH 仕上			REV F	
MATERIAL 材料				

AMP 1470-19 REV 31MAR2000

100CT2002 3:28pm E:\024691

H:\Drawing4.dwg

LOC	DIST	REVISIONS 変更			DATE	DWN	APVD
J	—	P	LTR	DESCRIPTION			
		F		SEE 1 OF 13	—	—	—



1. 材質：SS-108（一般）
2. 一般公差：±0.5
3. 適用製品規格は無し

4. 品川商工発行のカタログと本図で寸法が異なる場合は本図を優先する。
5. この製品の名称はコネクタスリーブAMP205シリーズ

1. MATERIAL:SS-108(GENERAL)
2. GENERAL TOLERANCE: ±0.5
3. APPLICABLE PRODUCT SPEC NOT AVAILABLE

4. IN THE EVENT OF CONFLICT BETWEEN THE REQUIREMENTS OF THIS CUSTOMER DRAWING AND THE SHINAGAWA SHOKO CO LTD CATALOG THIS CUSTOMER DRAWING SHALL TAKE PRECEDENCE
5. THIS PRODUCT NAME FLAG TYPE CONNECT SLEEVE AMP205 SERIES

CLEAR	236525	4-170823-1
COLOR	SHINAGAWA SHOKO PN	AMP PN

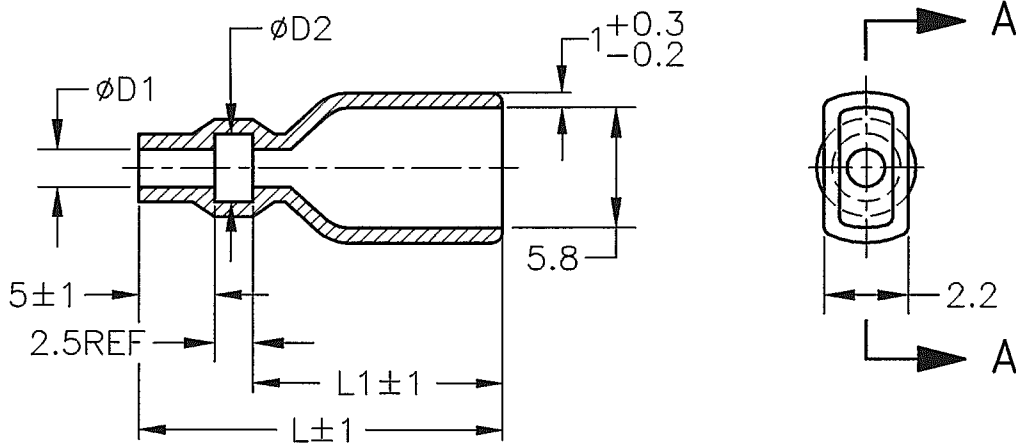
THIS DRAWING IS UNPUBLISHED. BY TYCO ELECTRONICS CORPORATION. ALL RIGHTS RESERVED.

DIMENSIONS: 単位：特 MM	
TOLERANCES UNLESS OTHERWISE SPECIFIED: 一般公差	
0 PLC	± -
1 PLC	± -
2 PLC	± -
3 PLC	± -
4 PLC	± -
ANGLES	± -

DWN	31AUG00	A. YAMAGUCHI
CHK	31AUG00	D. MATSUURA
APVD	31AUG00	K. BETSUI
PRODUCT SPEC	製品規格	
APPLICATION SPEC	取付適用規格	
WEIGHT		

MATERIAL	材料	—	FINISH	仕上	—
tyco Electronics		Tyco Electronics AMP K.K. Kawasaki, Japan			
NAME		INSULATION SLEEVE			
SIZE	CAGE CODE	DRAWING NO	RESTRICTED TO		
A4	00779	170823	—		
CUSTOMER DRAWING		SCALE	SHEET	OF	REV
		尺度	2:1	11	13 F

LOC	DIST	REVISIONS 変更			DATE	DWN	APVD
J	—	P	LTR	DESCRIPTION			
		F		SEE 1 OF 13	—	—	—



A-A

1. 材質：SS-108（一般）
2. 一般公差：±0.5
3. 適用製品規格は無し
4. 品川商工発行のカタログと本図で寸法が異なる場合は本図を優先する。
5. この製品の名称はコネクタスリーブAMP187シリーズ

1. MATERIAL:SS-108(GENERAL)
2. GENERAL TOLERANCE: ±0.5
3. APPLICABLE PRODUCT SPEC NOT AVAILABLE
4. IN THE EVENT OF CONFLICT BETWEEN THE REQUIREMENTS OF THIS CUSTOMER DRAWING AND THE SHINAGAWA SHOKO CO LTD CATALOG THIS CUSTOMER DRAWING SHALL TAKE PRECEDENCE
5. THIS PRODUCT NAME FLAG TYPE CONNECT SLEEVE AMP187 SERIES

CLEAR	23	15.5	3.3	1.8	235818	2-170823-5
	20	12.5	3.5	2.5	235825-1	1-170823-4
	23	15.5	3.7	2.2	235822	1-170823-3
COLOR	L	L1	$\phi D2$	$\phi D1$	SHINAGAWA SHOKO PN	AMP PN

THIS DRAWING IS UNPUBLISHED. ALL RIGHTS RESERVED. BY TYCO ELECTRONICS CORPORATION. © COPYRIGHT

DIMENSIONS:
単位：特
MM

TOLERANCES UNLESS OTHERWISE SPECIFIED:
一般公差

0 PLC	± -
1 PLC	± -
2 PLC	± -
3 PLC	± -
4 PLC	± -
ANGLES	± -

DWN
A. YAMAGUCHI 31AUG00

CHK
D. MATSUURA 31AUG00

APVD
K. BETSUI 31AUG00

PRODUCT SPEC
製品規格

APPLICATION SPEC
取付適用規格

WEIGHT

CUSTOMER DRAWING

MATERIAL
材料

FINISH
仕上

tyco
Electronics

Tyco Electronics AMP K.K.
Kawasaki, Japan

NAME
名称

INSULATION SLEEVE

SIZE	CAGE CODE	DRAWING NO 番号	RESTRICTED TO
A4	00779	170823	—

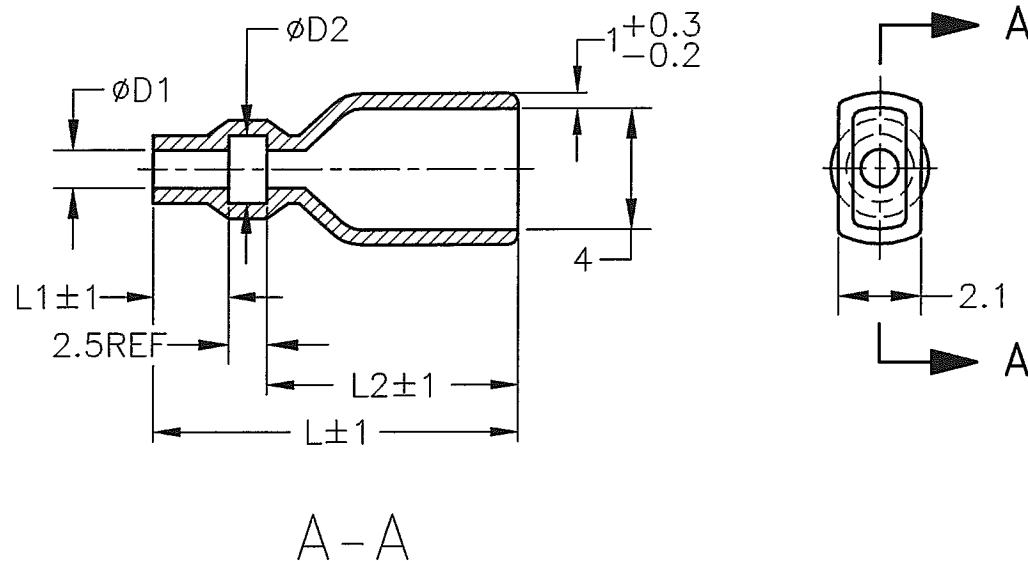
SCALE
尺度 2:1

SHEET 12 OF 13

REV F

THIS DRAWING IS UNPUBLISHED. RELEASED FOR PUBLICATION
 © COPYRIGHT BY TYCO ELECTRONICS CORPORATION. ALL RIGHTS RESERVED.

LOC	DIST	REVISIONS					
J	-	P	LTR	DESCRIPTION	DATE	DWN	APVD
		F		SEE 1 OF 13	-	-	-



- 1. 材質：SS-108（一般）
- 2. 一般公差：±0.5
- 3. 適用製品規格は無し
- ⚠ 品川商工発行のカタログと本図で寸法が異なる場合は本図を優先する。

- 1. MATERIAL:SS-108(GENERAL)
- 2. GENERAL TOLERANCE: ±0.5
- 3. APPLICABLE PRODUCT SPEC NOT AVAILABLE
- ⚠ IN THE EVENT OF CONFLICT BETWEEN THE REQUIREMENTS OF THIS CUSTOMER DRAWING AND THE SHINAGAWA SHOKO CO LTD CATALOG THIS CUSTOMER DRAWING SHALL TAKE PRECEDENCE

OBSOLETE	CLEAR	37	29.5	5	3.5	2.5	234025-4	5-170823-4
					4.3	2.8	234028	5-170823-3
OBSOLETE	YELLOW	21	13.5		3.5	2.5	234025-3	4-170823-6
	RED						234025-2	4-170823-5
OBSOLETE	BLACK	23	15.5		3.3	1.8	234018-4	2-170823-4
							3.5	2.5
CLEAR		30	22.5		3.8	3	234030-1	2-170823-2
		23	15.5		3.4	1.8	234018-2	1-170823-2
							234018-1	1-170823-1
		21	13.5		3.8	3	234030	1-170823-0
COLOR		18	12.5	3	3.4	1.6	234016	170823-8
		21	13.5	5	3.5	2.5	234025	170823-1
		L	L2	L1	$\phi d2$	$\phi d1$	SHINAGAWA SHOKO PN	AMP PN

THIS DRAWING IS A CONTROLLED DOCUMENT.		DWN A. YAMAGUCHI 31AUG00	Tyco Electronics AMP K.K. Kawasaki, Japan	
DIMENSIONS: 単位：mm		CHK D. MATSUURA 31AUG02	NAME	
TOLERANCES UNLESS OTHERWISE SPECIFIED: 一般公差		APVD K. BETSUI 31AUG02	INSULATION SLEEVE	
0 PLC ± - 1 PLC ± - 2 PLC ± - 3 PLC ± - 4 PLC ± - ANGLES ± -		PRODUCT SPEC 製品規格	SIZE A3	CAGE CODE 00779
MATERIAL 材料		APPLICATION SPEC 取付適用規格	DRAWING NO 番号 G-170823	
FINISH 仕上		WEIGHT	RESTRICTED TO	
		CUSTOMER DRAWING		SCALE 2:1
				SHEET 13 OF 13
				REV F